

**Service Trolleys**  
**Soaking Sink Trolley for Cutlery -**  
**610 mm**

ITEM # \_\_\_\_\_

MODEL # \_\_\_\_\_

NAME # \_\_\_\_\_

SIS # \_\_\_\_\_

AIA # \_\_\_\_\_



361264 (SSTR06)

Soaking Sink Trolley for  
cutlery 610mm

### Short Form Specification

Item No. \_\_\_\_\_

Constructed in 304 AISI stainless steel. Framework in mm25 tubing, completely welded. The basin can accommodate bulk cutlery or n.1 dishwashing basket mm500x500. Drain valve with twist handle. N. 4 swivelling castors, two with brakes, mm125 in diameter.

### Main Features

- Framework in 25 mm tubing, completely welded.
- Basin to accommodate bulk cutlery or 1 dishwashing basket 500x500mm.
- Unit to have a drain valve with twist handle.
- 4 pivoting Ø 125 mm wheels, 2 of which with brakes, fitted with plastic bumpers

### Construction

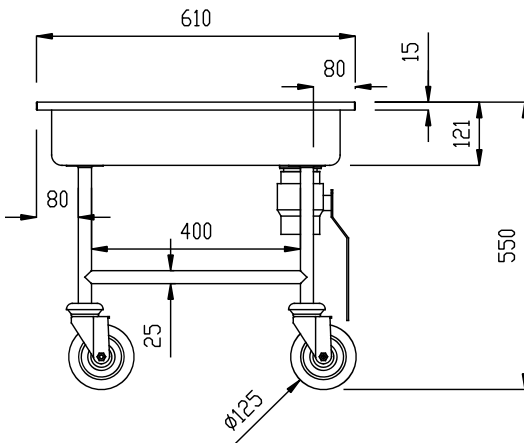
- Constructed entirely in 304 AISI stainless steel.

APPROVAL: \_\_\_\_\_

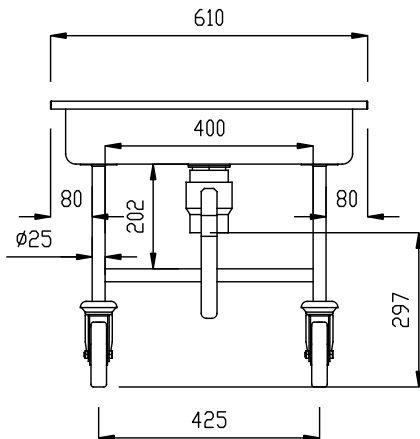
#### Key Information:

<b>External dimensions, Width:</b>	
<b>361264 (SSTR06)</b>	610 mm
<b>External dimensions, Depth:</b>	610 mm
<b>External dimensions, Height:</b>	550 mm
<b>Wheel material:</b>	Zinc plated
<b>Wheel diameter:</b>	Ø 125
<b>Net weight:</b>	ISO 9001; ISO 14001 kg

Front



Side



D = Drain

Top

